

Appendix L. Trailside Shelter Drawings ..... L-1

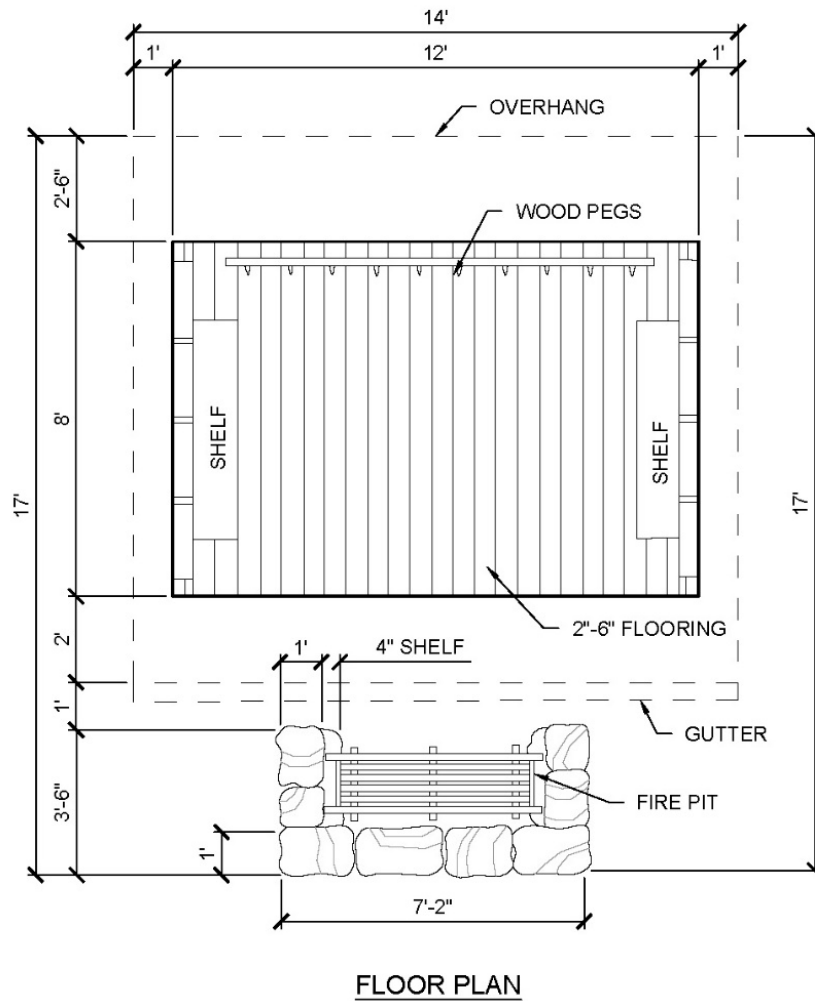
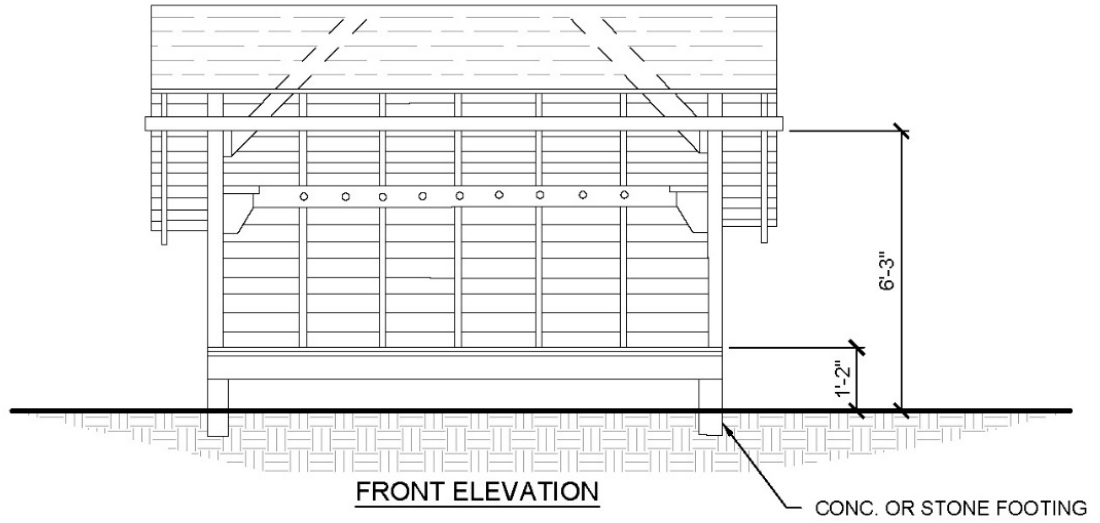
**Figures**

Figure L.1 – Adirondack Shelter ..... L-2  
Figure L.2 – Adirondack Shelter, continued ..... L-3  
Figure L.3 – Wisconsin Shelter ..... L-4  
Figure L.4 – Wisconsin Shelter, continued ..... L-5  
Figure L.5 – Yurok Shelter ..... L-6  
Figure L.6 – Yurok Shelter, continued ..... L-7

## **Appendix L. Trailside Shelter Drawings**

The trailside shelters that are recommended in this handbook have a minimum of three vertical walls and a roof, and are positioned so that the open side faces away from prevailing storms and wind. (See Figures L.1-L.6.) This orientation enhances the structure's ability to provide a warm, dry shelter and enables smoke from the campfire to blow away from campers and their gear. The minimum amenities for a trailside shelter typically include a warming/cooking campfire pit or ring; pegs to hang packs or clothes; a table or elevated platform for eating and cooking; sleeping platforms or bunks; and shelving.

Although there are many designs for this type of shelter, the Adirondack and Wisconsin shelters presented in this appendix represent functional, durable, and aesthetically pleasing structures. These basic shelter designs can be modified to meet the architectural, historical, and aesthetic needs of a specific trail system. The construction materials can also be changed to meet these needs. The design for a Yurok style shelter that was developed in the North Coast Redwoods District is also provided to illustrate how a design can be modified to meet local architectural requirements.

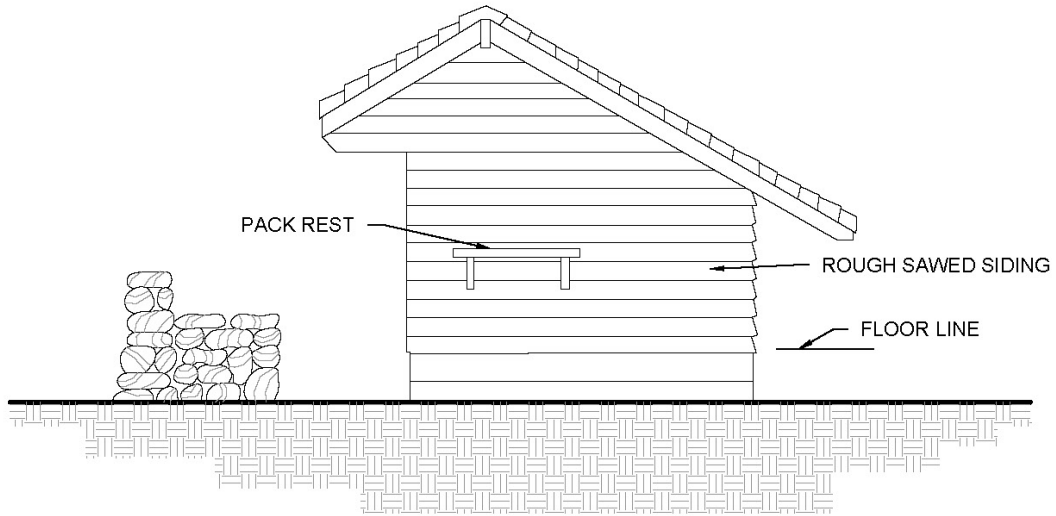


**Figure L.1 – Adirondack Shelter**

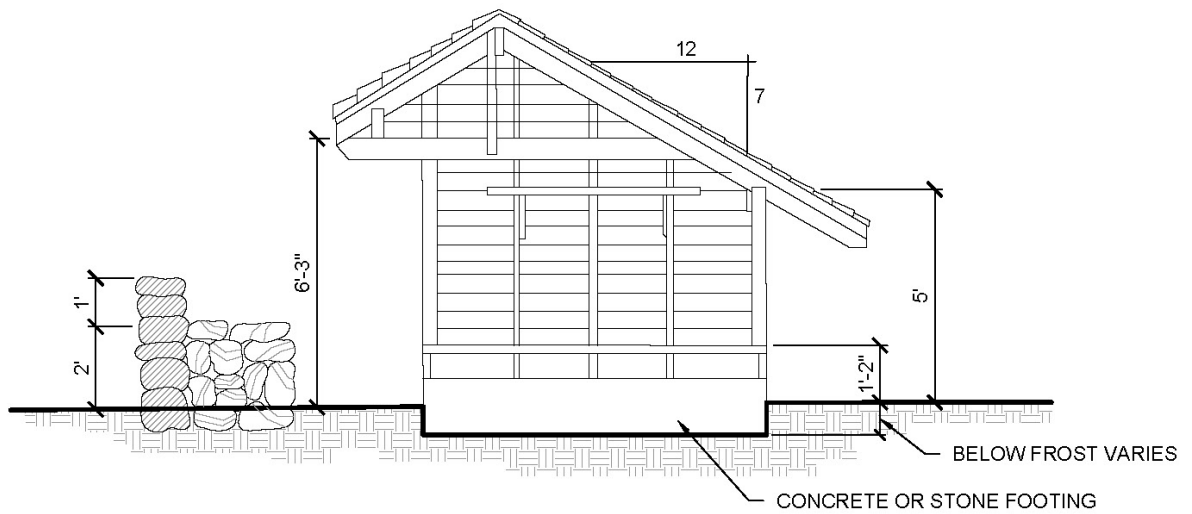


**ADIRONDACK SHELTER**  
CALIFORNIA STATE PARKS

NOT TO SCALE



SIDE VIEW



SECTION VIEW

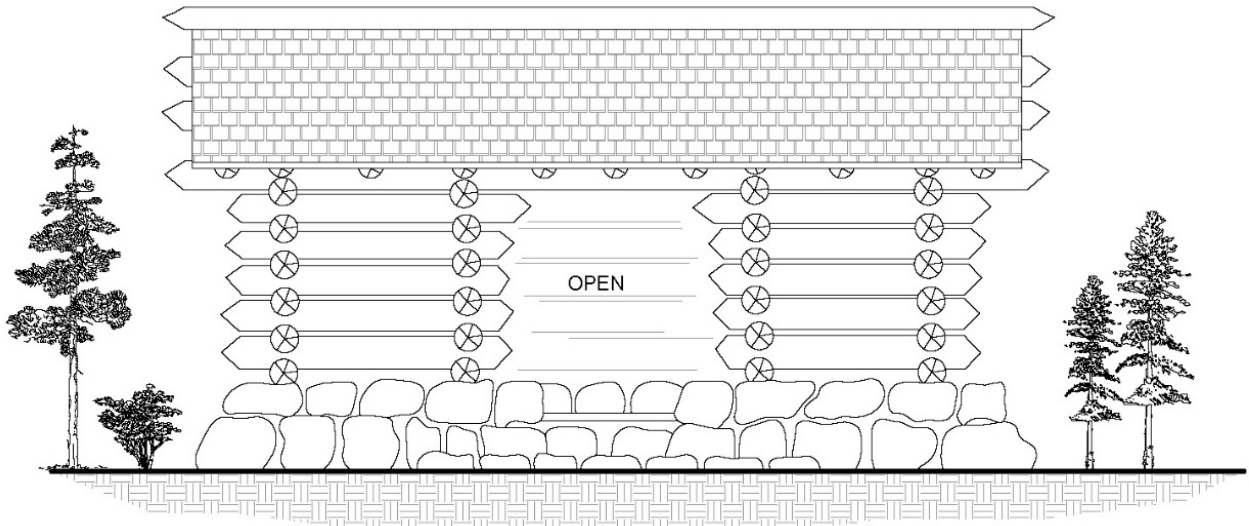
**Figure L.2 – Adirondack Shelter, continued**



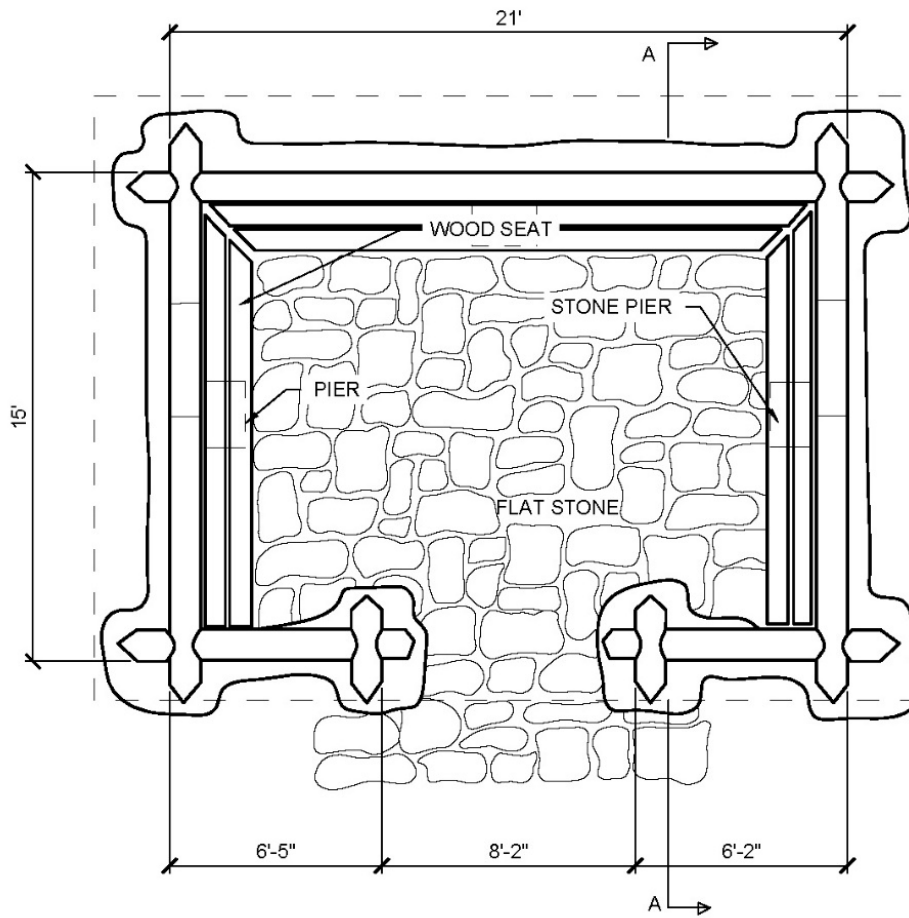
**ADIRONDACK SHELTER (CONTINUED)**

CALIFORNIA STATE PARKS

NOT TO SCALE



**FRONT ELEVATION**



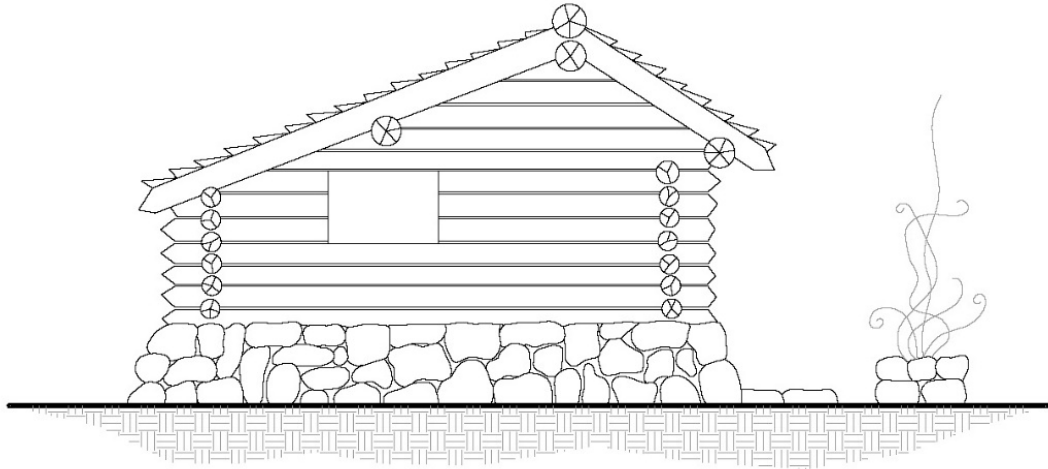
**FLOOR PLAN**

**Figure L.3 – Wisconsin Shelter**

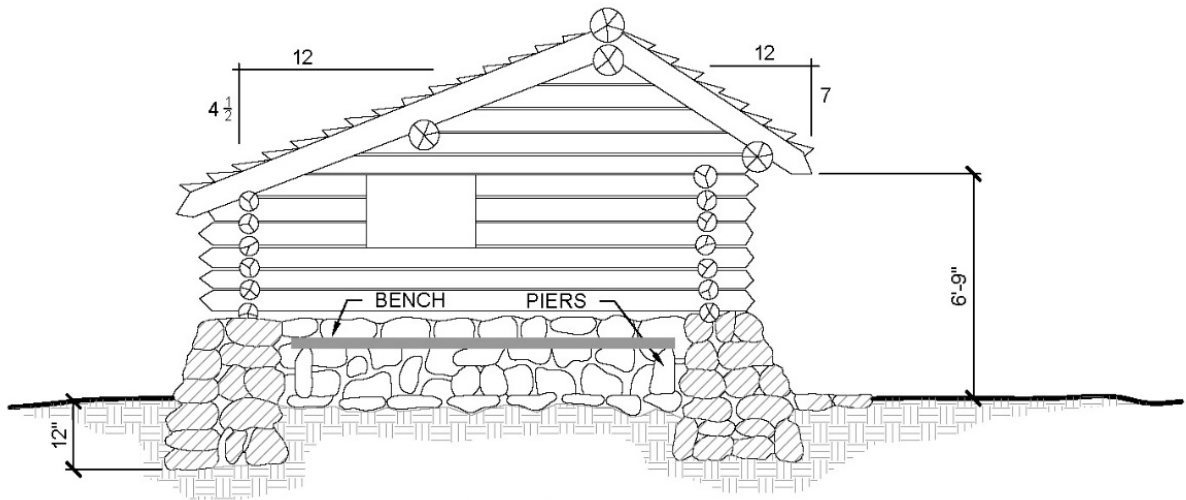


**WISCONSIN SHELTER**  
**CALIFORNIA STATE PARKS**

NOT TO SCALE



SIDE VIEW



SECTION A-A

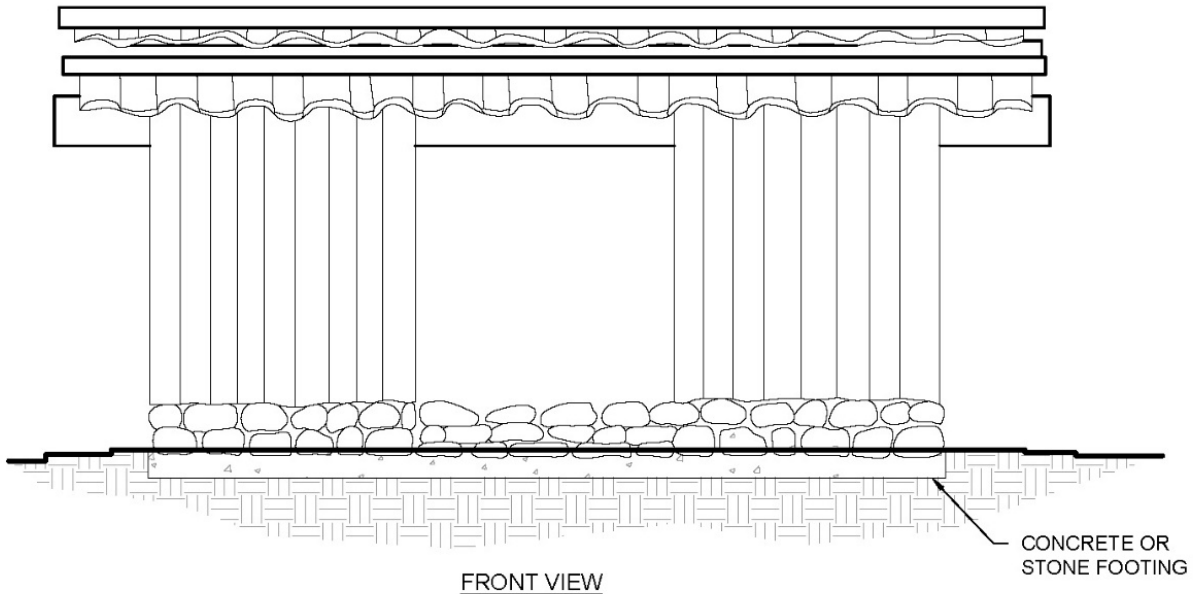
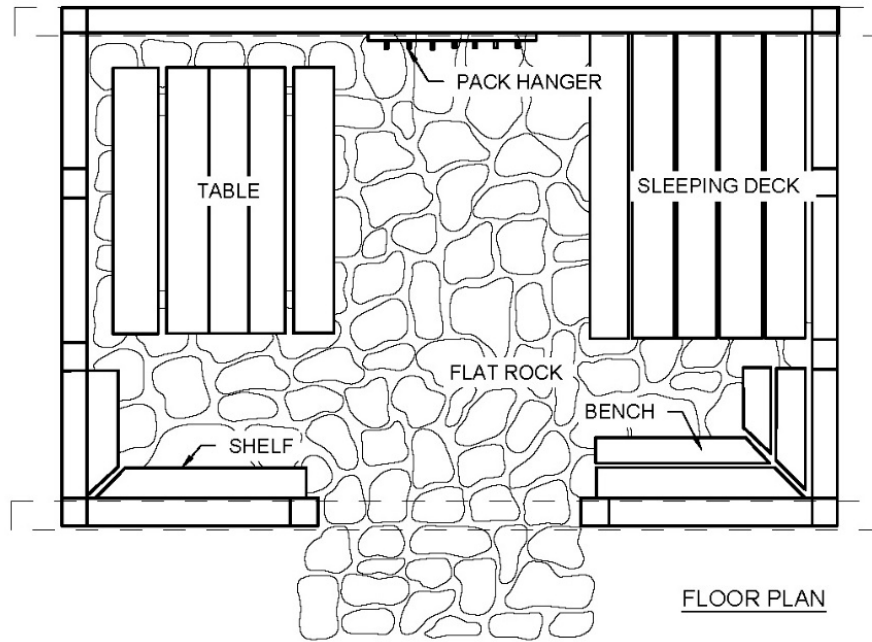
**Figure L.4 – Wisconsin Shelter, continued**



**WISCONSIN SHELTER (CONTINUED)**

CALIFORNIA STATE PARKS

NOT TO SCALE



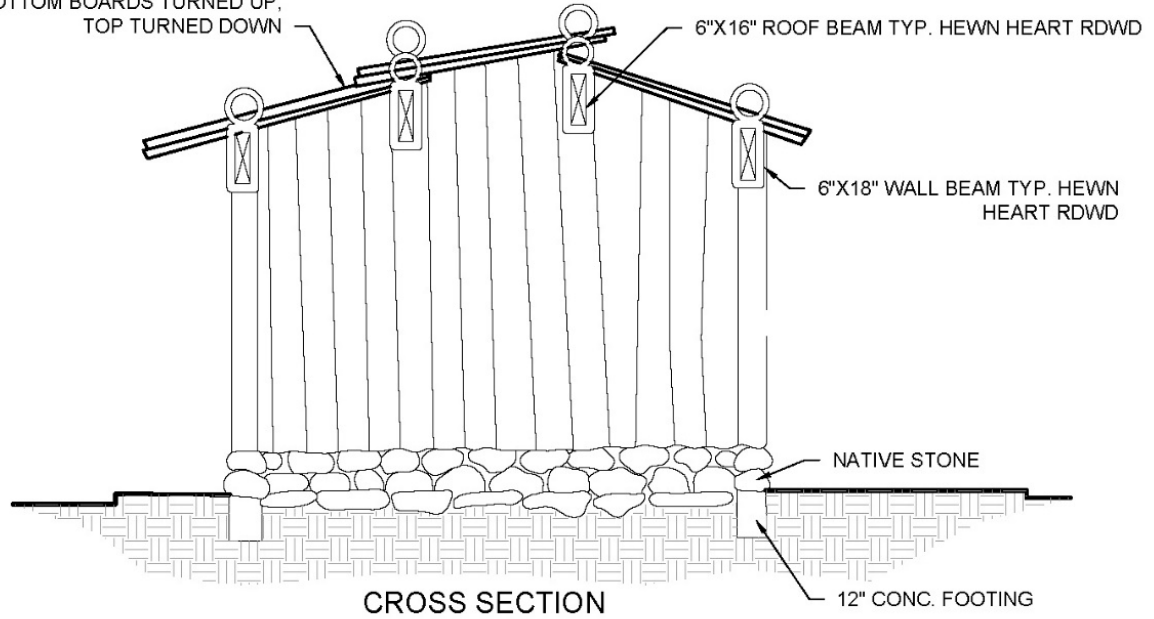
**Figure L.5 – Yurok Shelter**



**YUROK SHELTER**  
CALIFORNIA STATE PARKS

NOT TO SCALE

3" X VARIOUS LENGTH ROOF  
BOARDS. BASTARD SPLIT HEART  
RDWD. BOARDS TO BE CLIPPED.  
BOTTOM BOARDS TURNED UP,  
TOP TURNED DOWN



NOTE: ALL REDWOOD STRUCTURAL MEMBERS  
FASTENED W/ GALV. LAG SCREWS THEN  
PLUGGED W/ REDWOOD

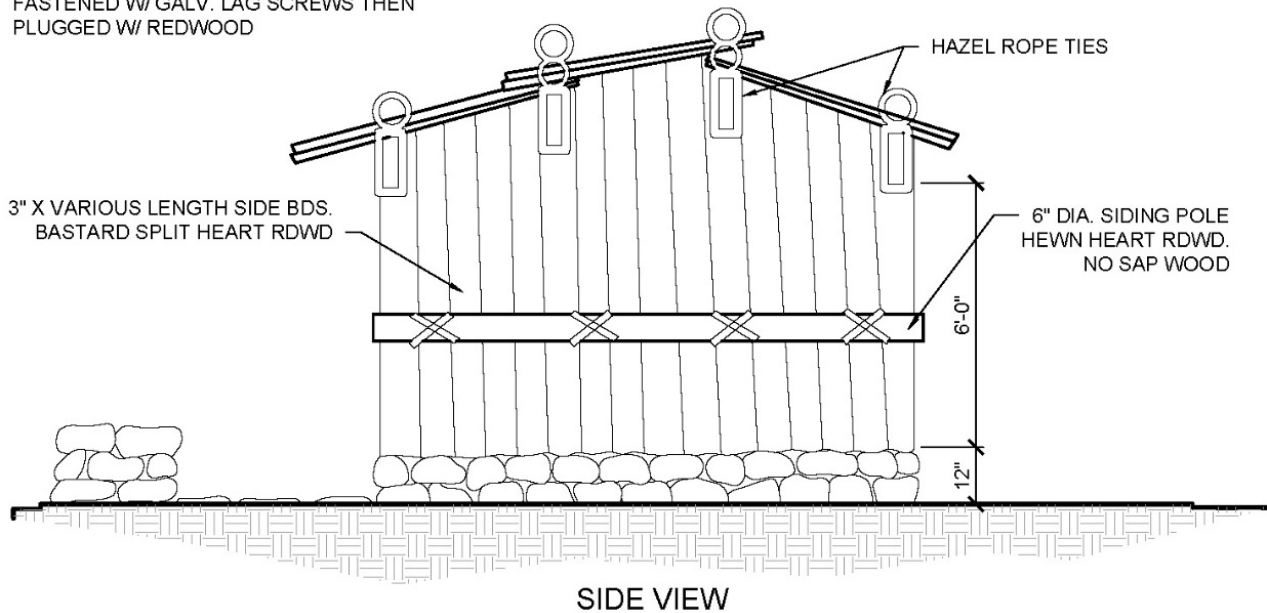


Figure L.6 – Yurok Shelter, continued



YUROK SHELTER (CONTINUED)

CALIFORNIA STATE PARKS

NOT TO SCALE